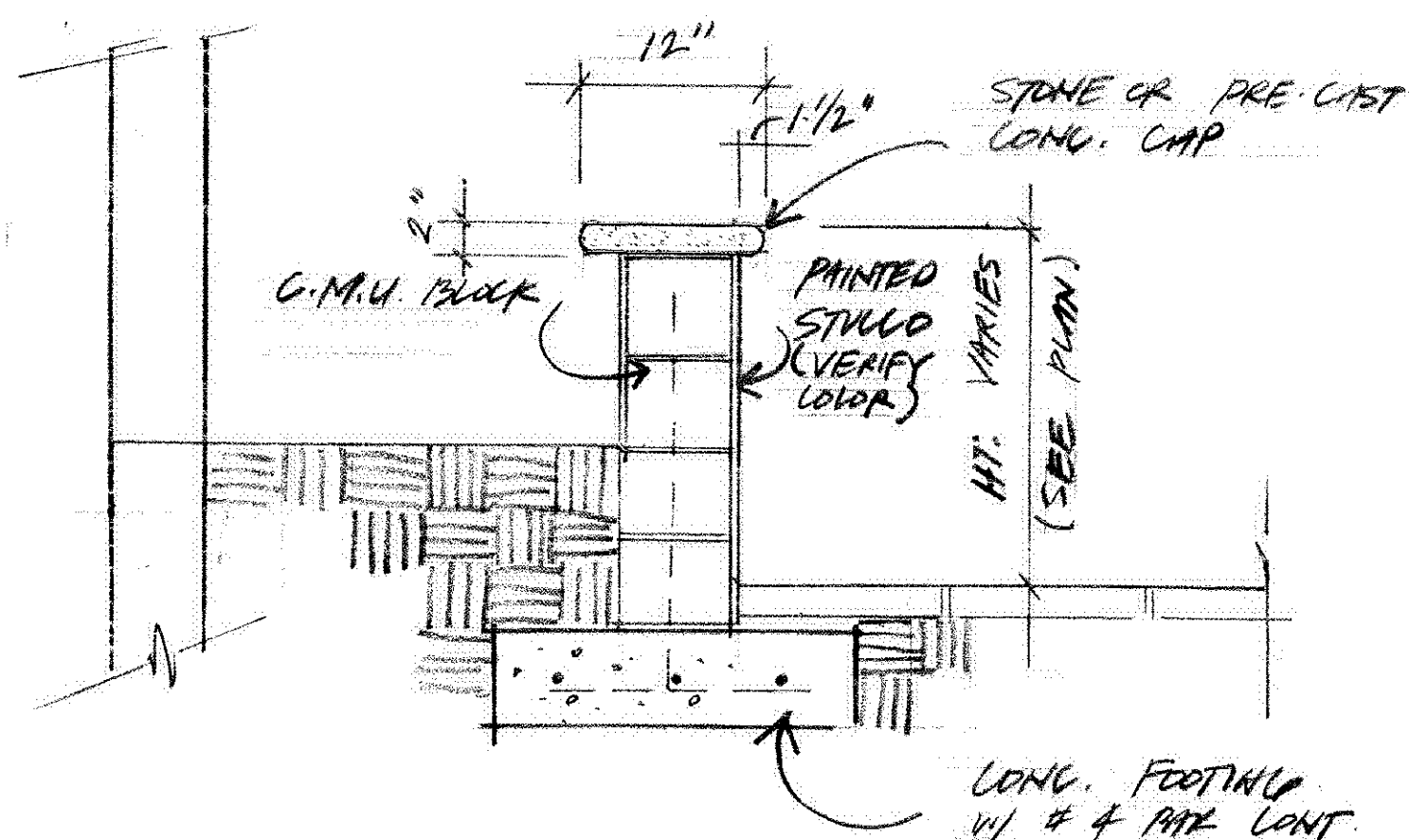
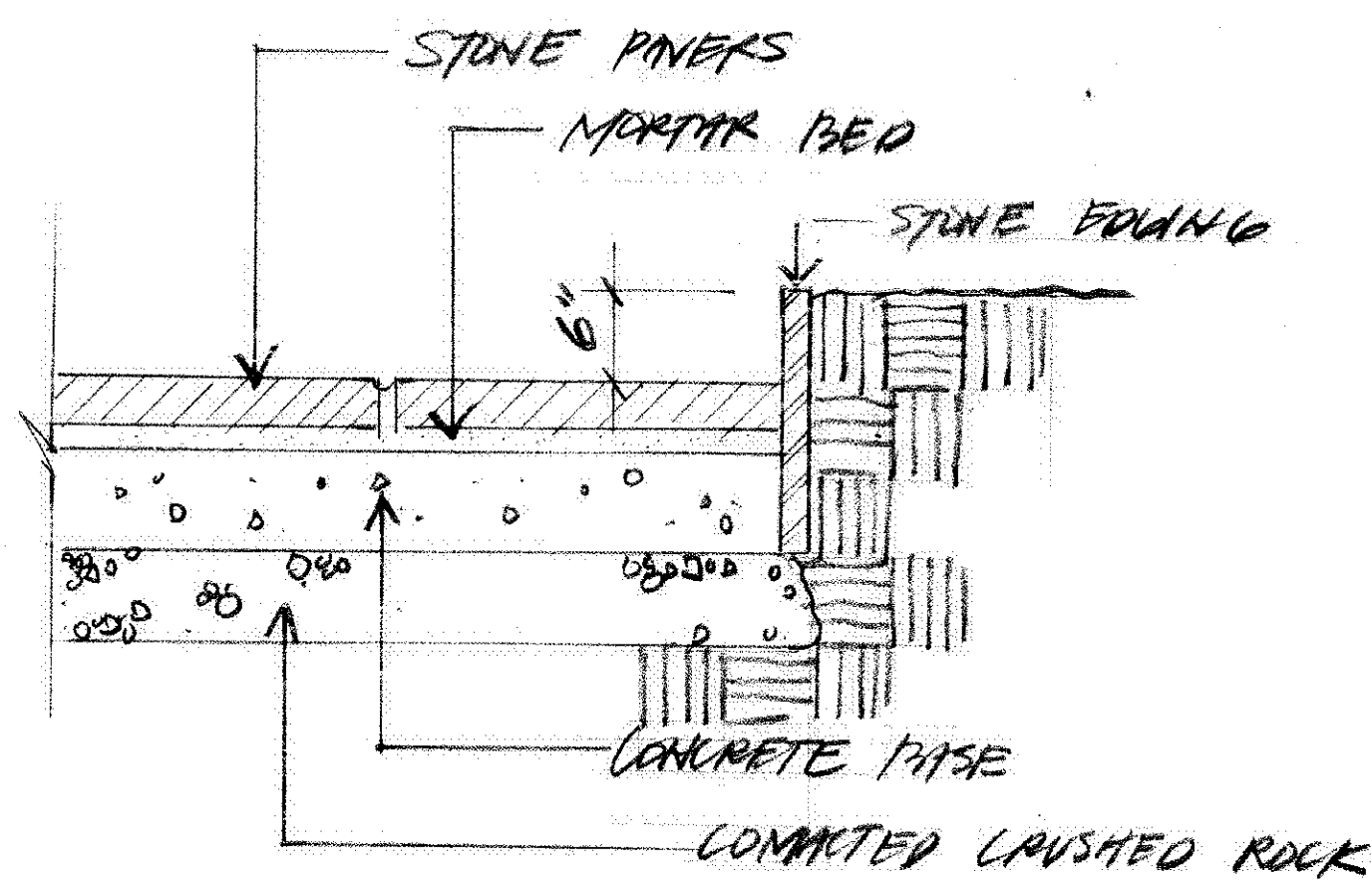


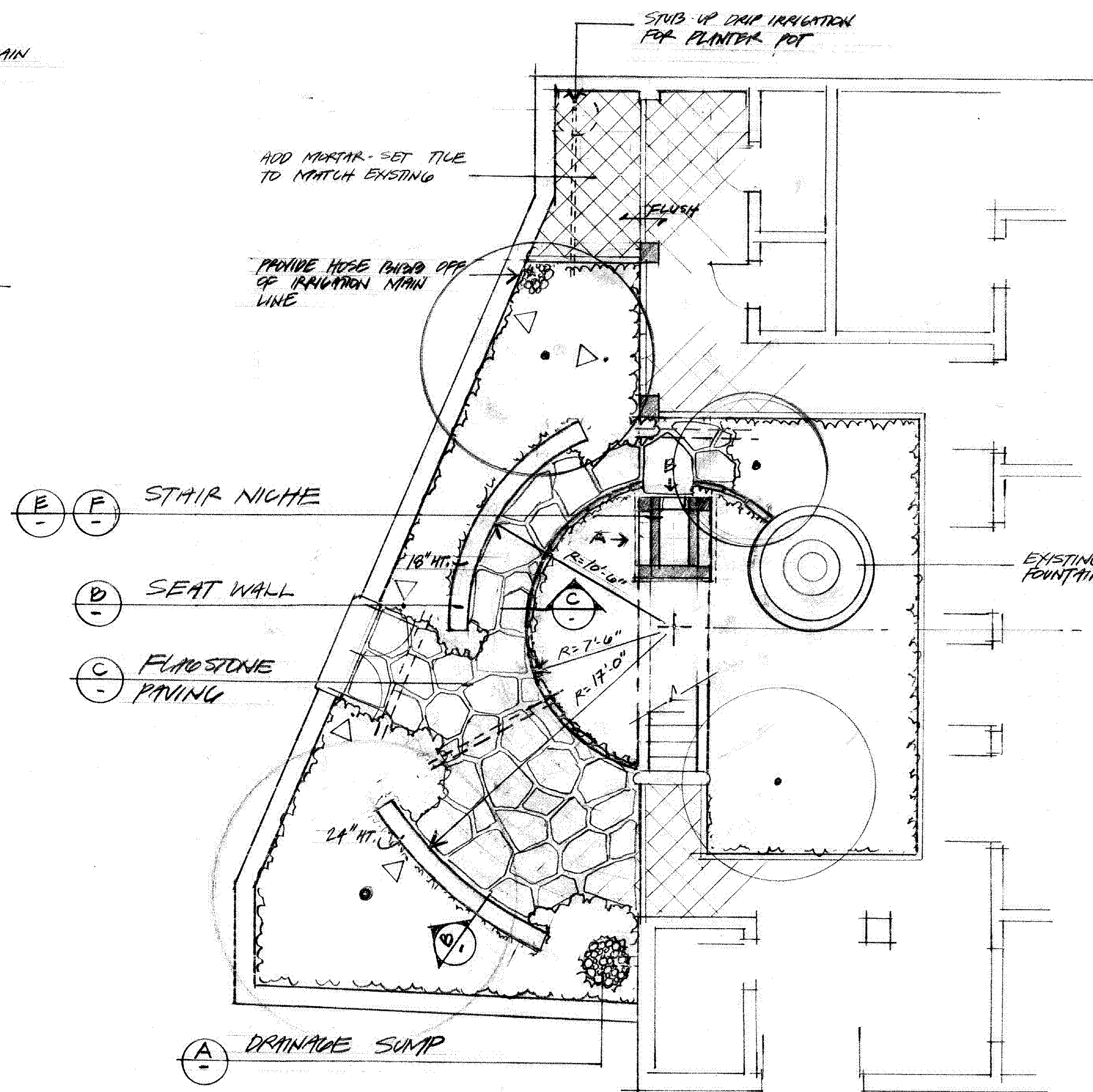
**A** DRAINAGE SUMP  
1 1/2" = 1'-0"



**B** SEAT WALL  
1 1/2" = 1'-0"



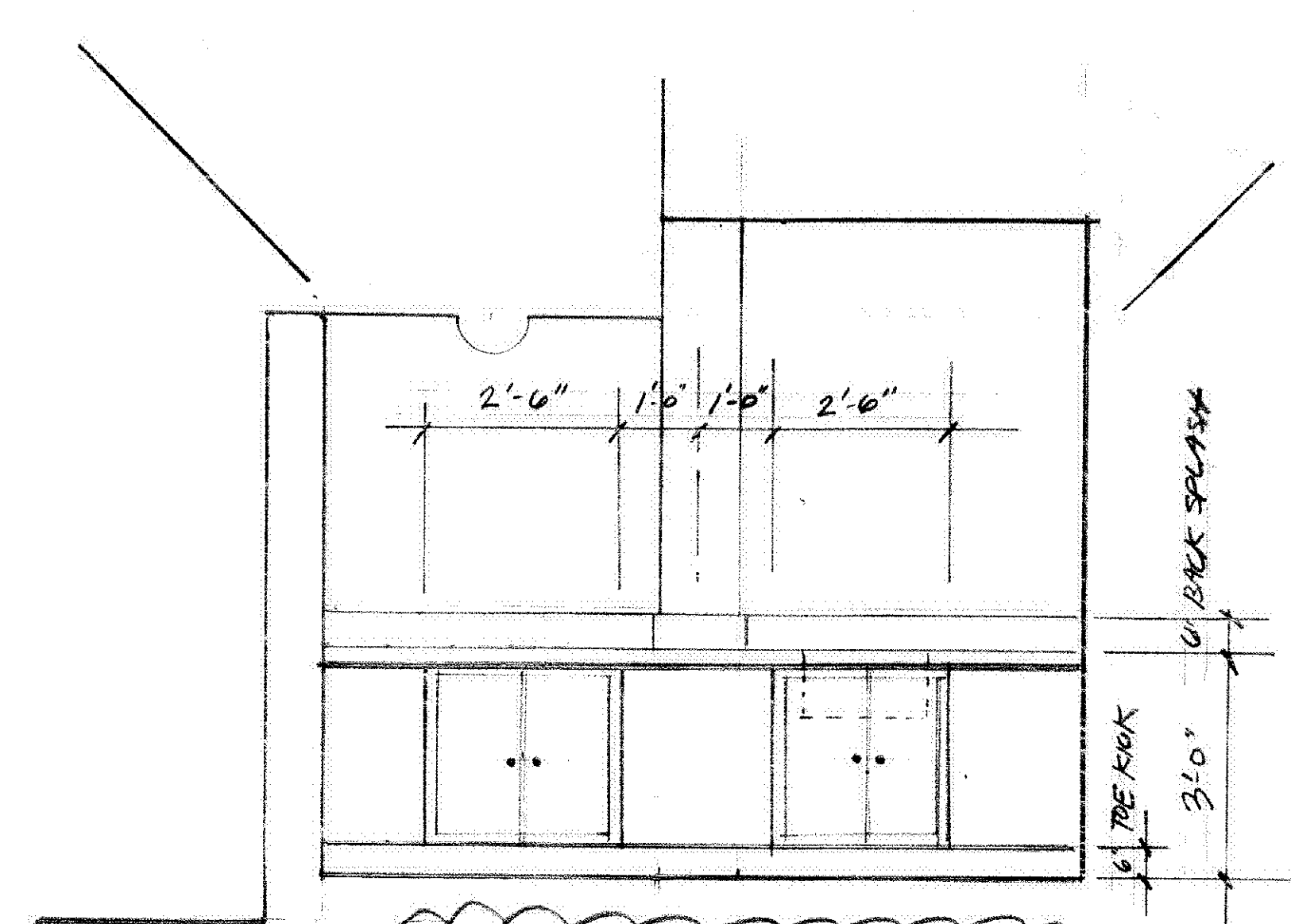
**C** FLAGSTONE PAVING  
1 1/2" = 1'-0"



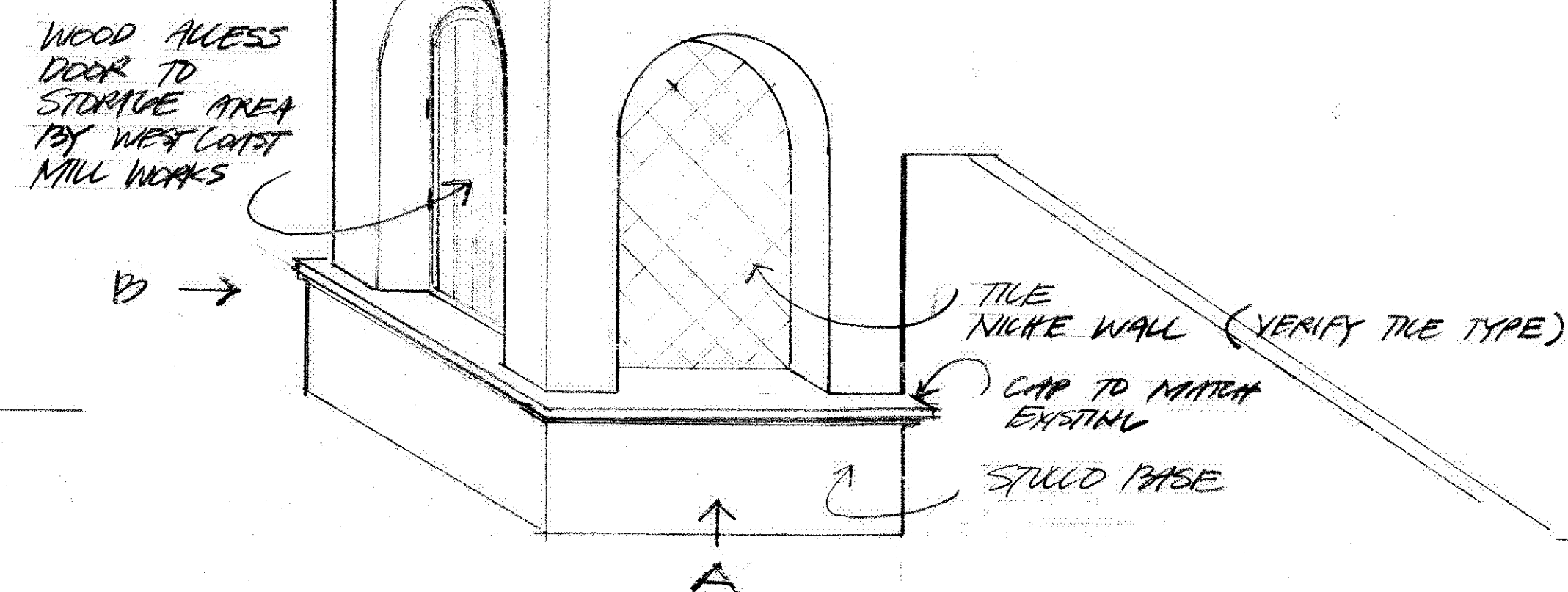
**A** DRAINAGE SUMP

**LAYOUT PLAN**  
1/4" = 1'-0"

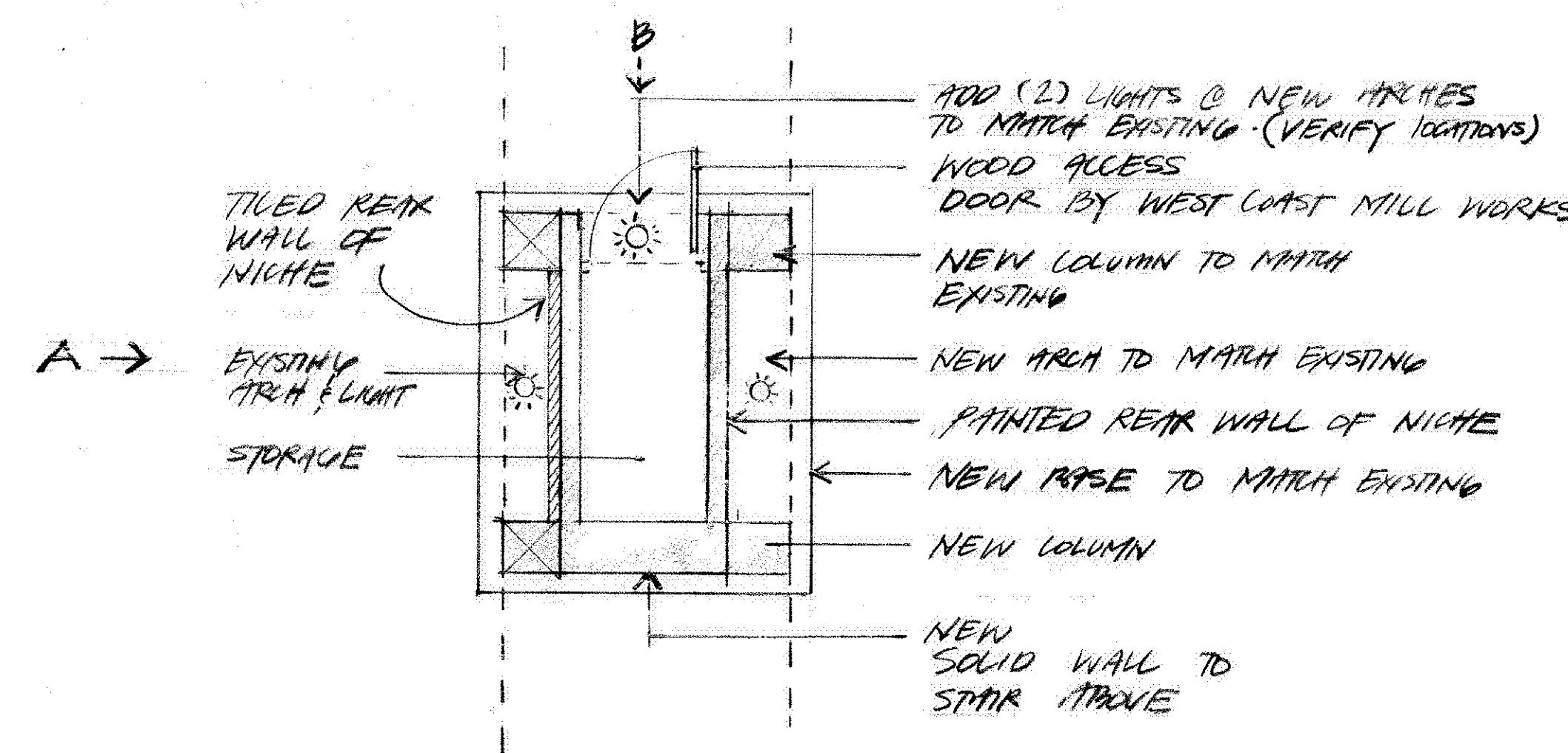
- E** STAIR NICHE
- F** SEAT WALL
- D** FLAGSTONE PAVING



**D** THIS DETAIL NOT IN CONTRACT  
WORKBENCH / STORAGE CABINET  
1/2" = 1'-0"



**E** STAIR NICHE - SKETCH  
(NOT TO SCALE)



**F** STAIR NICHE - PLAN  
1/2" = 1'-0"

REMOVE EXISTING WALL LIGHT UNDER GARDA